

SERVICE SCHEDULE 980

EVERY 8-10 HOURS

1. **Engine Oil** – Check level and add oil as needed. Do not overfill.
2. **Engine Air System** – Check for leaks and damaged components. Replace air cleaner element when condition indicator shows red.
3. **Engine Cooling System** – Clean debris from cooling fins, shrouds and grills. Check coolant level and add as needed.
4. **Tires** – Check for damage and correct air pressure:
Super Tracks – 45 PSI (310 kPa)
Steel Guards – 55 PSI (379 kPa)
5. **Pivot Points** – Lubricate lift arms and cylinder pivot points, and (18) control linkage with multi-purpose lithium grease.
6. **Seat Belt and Seat Bar and Control Interlocks** – Check function of seat belt and seat bar. Repair as needed before using loader.
7. **Fuel Water Trap** – Remove water.
8. **Hydrostatic System** – Check hydraulic fluid level and add as needed. *
9. **General** – Check for loose or broken parts, instrument operation, loose wheel nuts, oil leaks, hose or tubeline damage, etc.

EVERY 50 HOURS

1. **Chain Case** – Check oil level and add as needed. *
2. **Battery** – Check water level and cable connections.
3. **Controls and Brake** – Check condition and operation. Adjust as needed. *

EVERY 100 HOURS

1. **Hydraulic System** – Replace primary filter (1D micron).
2. **Final Drive Chains** – Check tension. Adjust as needed. *

EVERY 250 HOURS

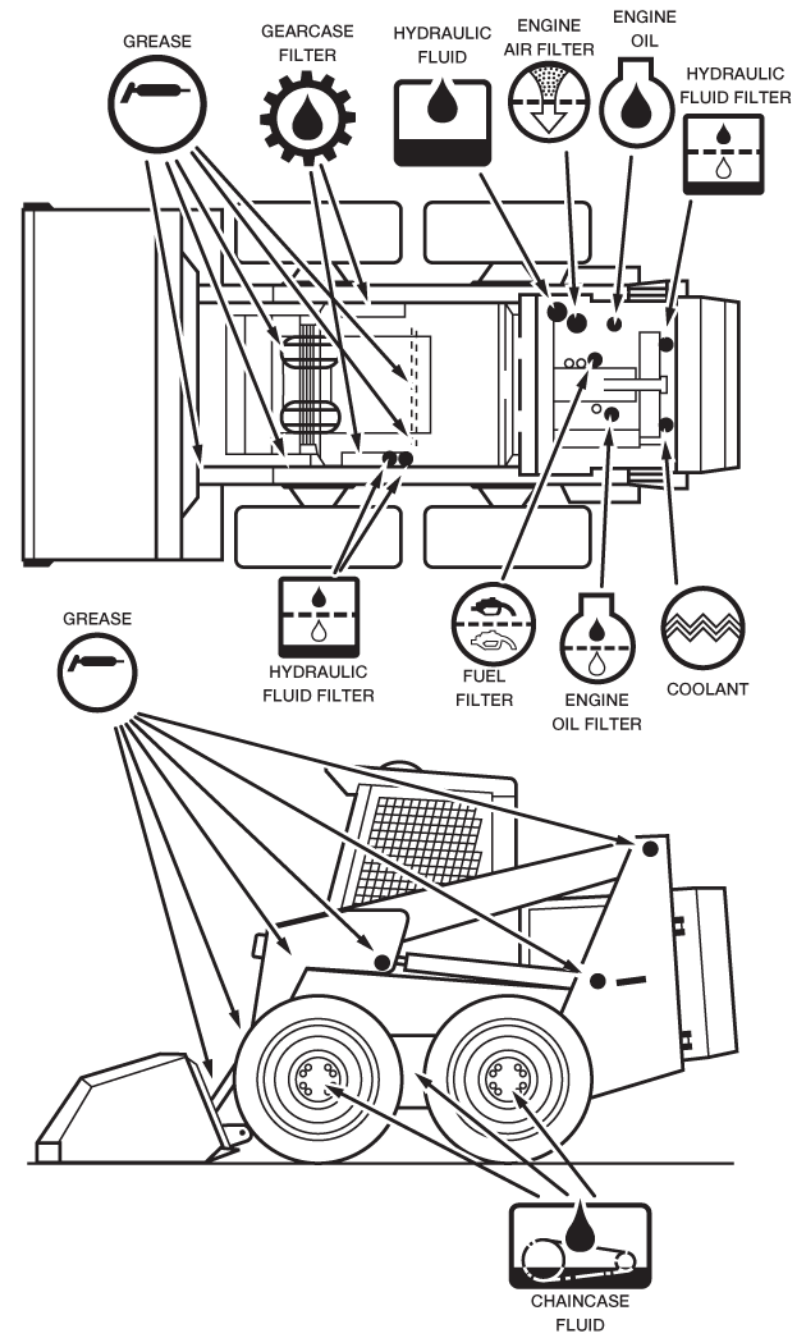
1. **Hydraulic System** – Replace two(2) secondary filters (1D micron).
2. **Engine Oil** – Replace filter and oil. Use ONLY 15W-40 or 20W-40, API Service Classification CC/CD. *

EVERY 600 HOURS

1. **Engine Cooling System** – Check anti-freeze concentration. Protect to -34F (-37C) year around. *
2. **Fuel Filter** – Replace filter. Remove trapped air from system.
3. **Chaincase Vent Tube** – Remove, clean and reinstall.
4. **Reduction Gear Housing** – Check oil level and add as needed. *
5. **Hydraulic Fluid Reservoir** – Remove skid plate and remove condensation from reservoir.

EVERY 1000 HOURS

1. **Engine Cooling System** – Drain, flush and refill. *
2. **Reduction Gear Housing** – Drain and replace fluid. *
3. **Final Drive Chaincase** – Drain and replace fluid. *
4. **Hydraulic Fluid Reservoir** – Drain, replace fluid and filters. *
5. **Complete 1000 hour engine maintenance.** *



* See Operation & Maintenance Manual for more instructions.